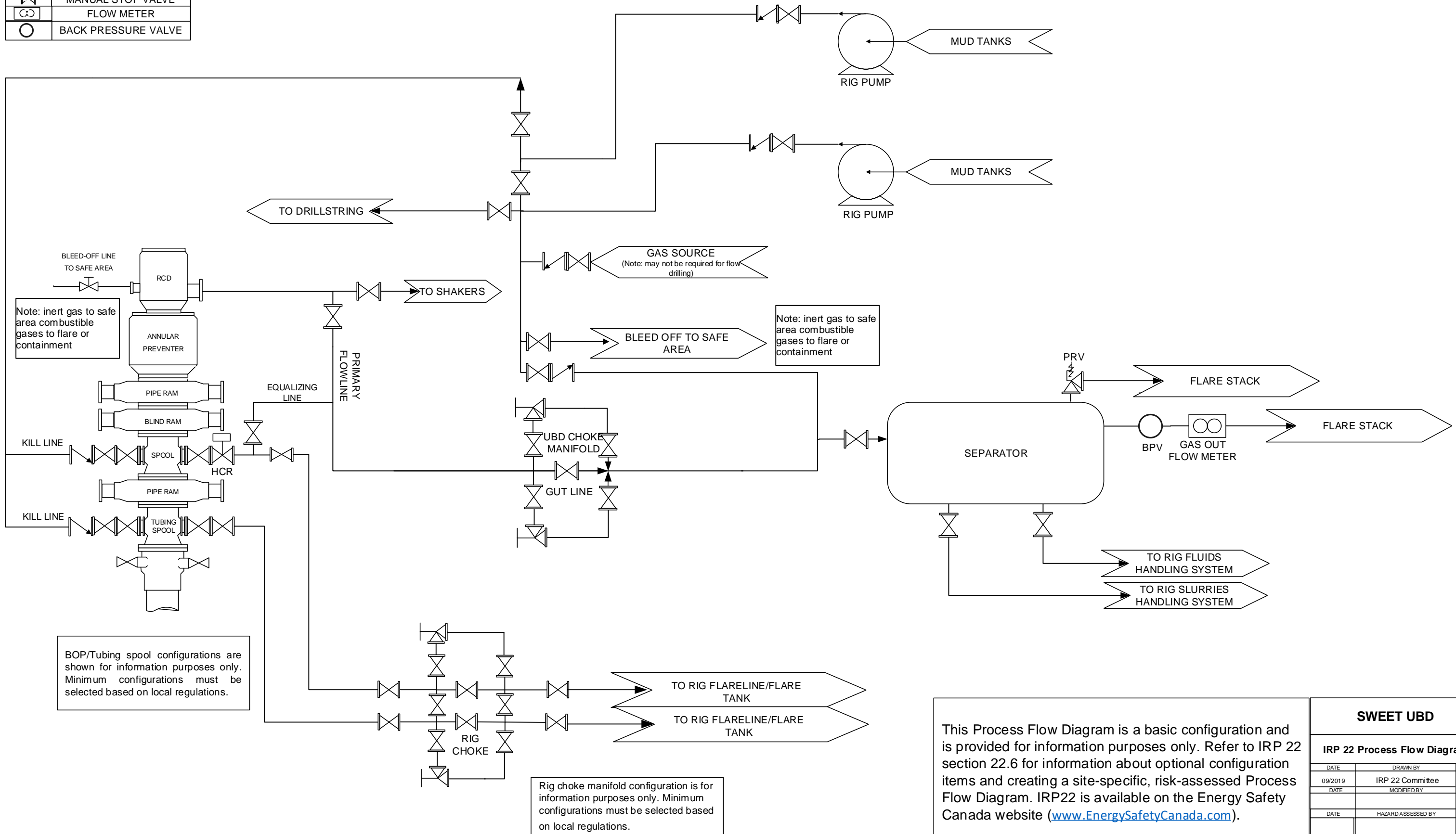


	ACTUATED VALVE
	ADJUSTABLE CHOKE
	CHECK VALVE
	MANUAL STOP VALVE
	FLOW METER
	BACK PRESSURE VALVE



Note: inert gas to safe area combustible gases to flare or containment

Note: inert gas to safe area combustible gases to flare or containment

BOP/Tubing spool configurations are shown for information purposes only. Minimum configurations must be selected based on local regulations.

Rig choke manifold configuration is for information purposes only. Minimum configurations must be selected based on local regulations.

This Process Flow Diagram is a basic configuration and is provided for information purposes only. Refer to IRP 22 section 22.6 for information about optional configuration items and creating a site-specific, risk-assessed Process Flow Diagram. IRP22 is available on the Energy Safety Canada website ([www.EnergySafetyCanada.com](http://www.EnergySafetyCanada.com)).

SWEET UBD		
IRP 22 Process Flow Diagram		
DATE	DRAWN BY	REV
09/2019	IRP 22 Committee	
DATE	MODIFIED BY	REV
DATE	HAZARD ASSESSED BY	REV