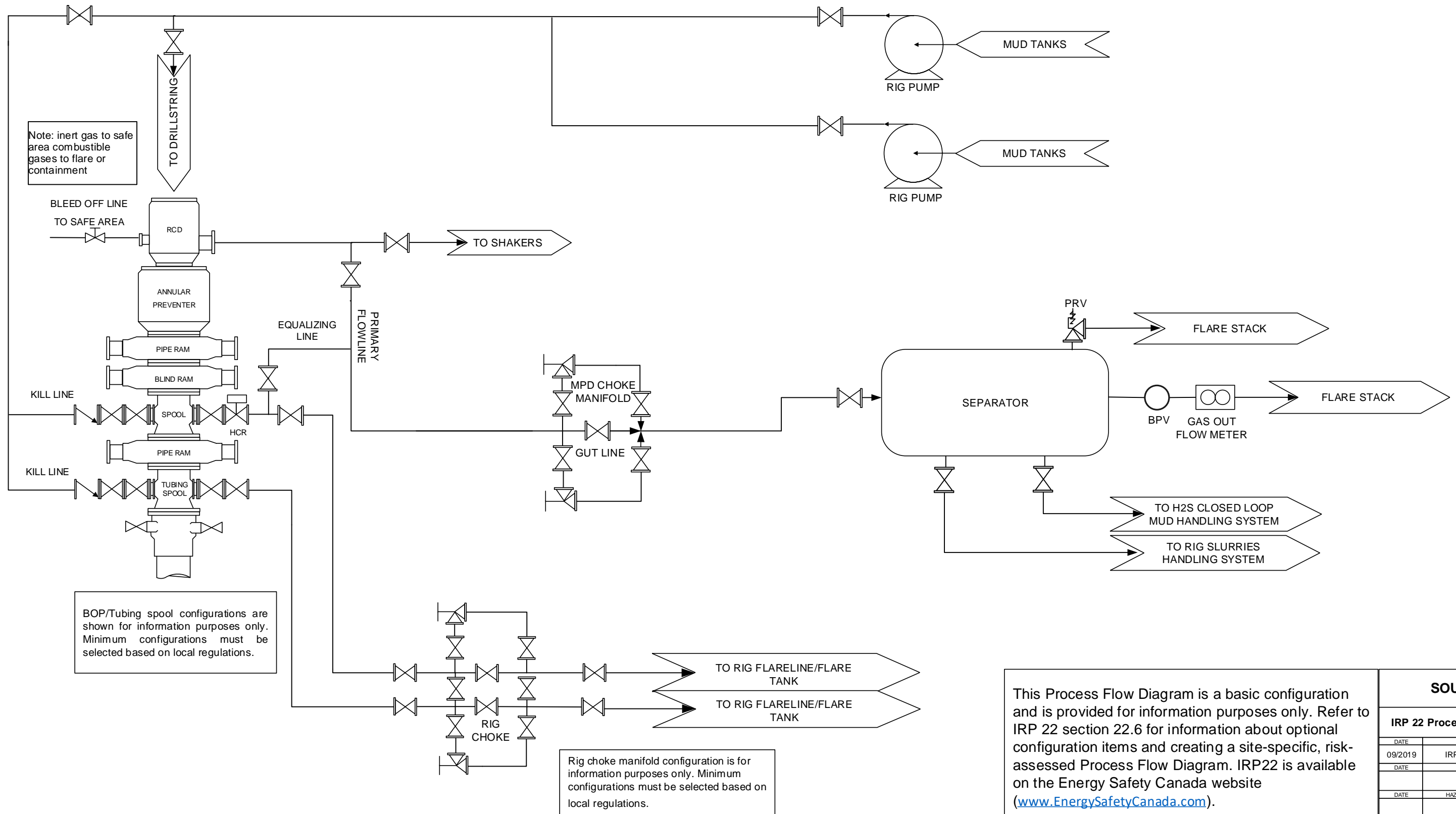


	ACTUATED VALVE
	ADJUSTABLE CHOKE
	CHECK VALVE
	MANUAL STOP VALVE
	FLOW METER
	BACK PRESSURE VALVE



This Process Flow Diagram is a basic configuration and is provided for information purposes only. Refer to IRP 22 section 22.6 for information about optional configuration items and creating a site-specific, risk-assessed Process Flow Diagram. IRP22 is available on the Energy Safety Canada website (www.EnergySafetyCanada.com).

SOUR MPD		
IRP 22 Process Flow Diagram		
DATE	DRAWN BY	REV
09/2019	IRP 22 Committee	
DATE	MODIFIED BY	REV
		1
DATE	HAZARD ASSESSED BY	REV
		1